

990-0071M

**MOTORIZED VARIABLE ATTENUATOR
FOR LINEARLY POLARIZED LASER BEAM**


This motorized variable attenuator/beamsplitter consists of special design opto-mechanical adapter for polarizer at 56° 840-0117A or 840-0118A and precision opto-mechanical holder 840-0193. Thin Film Brewster type polarizer, which reflect s-polarized light at 56° while transmitting p-polarized light, is housed into adapter for polarizer at 56°. Quartz Half Waveplates are housed in motorized rotation stage 960-0161.

The intensity ratio of those two beams may be continuously varied without alteration of other beam parameters by rotating the waveplate. The intensity of either exit beam, or their intensity ratio, can be controlled over a wide dynamic range. P-polarization could be selected for maximum transmission, or high-purity s-polarization could be reflected when maximum attenuation of the transmitted beam takes place. The holder 840-0193 allows to adjust Angle of Incidence of the Thin Film Brewster type polarizer by $\pm 2^\circ$ and to get the maximum polarization contrast.

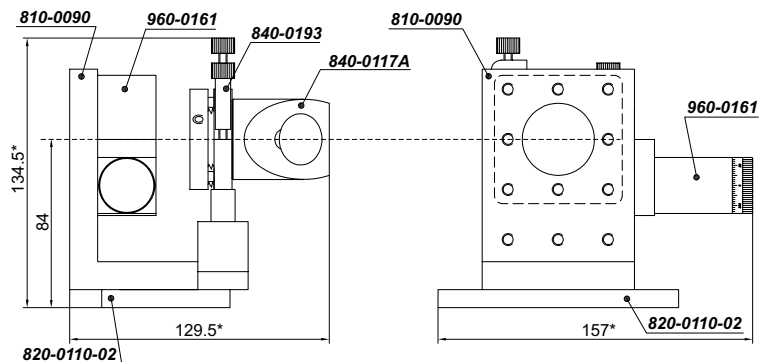
Ordering information

Please note: these motorized variable attenuators for linearly polarized laser beam are provided without controller and power supply. If you would like to order the complete solution (controller 980-0841 and power supply: PSC30U-120V), please add CP to code and 600 EUR to price.

An examples:

990-0071-266M – motorized attenuator without controller and power supply. Price – 1295 EUR

990-0071-266M+CP – motorized attenuator with controller (990-0841) and power supply (PSC30U-120V). Price – 1895 EUR


For Nd:YAG Laser Applications

Catalogue number	Wavelength, nm	Price, EUR
990-0071-266M	266	1295
990-0071-355M	355	1260
990-0071-532M	532	1230
990-0071-1064M	1064	1230

Multi order half waveplate is housed in Motorized Rotation Stage 960-0161 and Polarizer with adapter in Kinematic Optical Mount 840-0193 for Nd:YAG laser application (laser damage threshold: 5 J/cm², 10 ns pulses, 10 Hz at 1064 nm, typical).

For Femtosecond Applications

Catalogue number	Wavelength, nm	Price, EUR
990-0071-343M	343	1380
990-0071-400M	400	1330
990-0071-400BM	390-410	1430
990-0071-515M	515	1330
990-0071-515BM	505-525	1430
990-0071-800M	800	1330
990-0071-800BM	780-820	1430
990-0071-1030M	1030	1330
990-0071-1030BM	1010-1050	1430

Zero order optically contacted half waveplate is housed in Motorized Rotation Stage 960-0161 and Polarizer with adapter in Kinematic Optical Mount 840-0193 for femtosecond laser application (laser damage threshold: >10 mJ/cm², 50 fsec pulse, 800 nm typical).

For High Power Femtosecond Applications

Catalogue number	Wavelength, nm	Price, EUR
990-0071-266HM	266	1470
990-0071-343HM	343	1445
990-0071-400HM	400	1395
990-0071-400HBM	390-410	1495
990-0071-515HM	515	1395
990-0071-515HBM	505-525	1495
990-0071-800HM	800	1395
990-0071-800HBM	780-820	1495
990-0071-1030HM	1030	1395
990-0071-1030HBM	1010-1050	1495

Zero Order Air-Spaced half waveplate is housed in Motorized Rotation Stage 960-0161 and Polarizer with adapter in Kinematic Optical Mount 840-0193 for high power femtosecond laser application (laser damage threshold: >100 mJ/cm², 50 fsec pulse, 800 nm typical).